

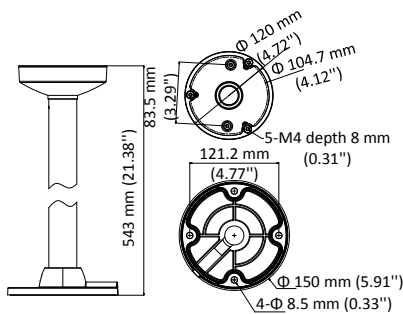
# LTB731

## Pendent Mounting Bracket for Mini Dome Camera

### Features:

- Aluminum alloy material with surface spray treatment
- Waterproof rubber suits for indoor/outdoor design
- The internal wiring makes the feature looks better
- Outlet hole is reserved for convenient wiring indoor
- Better water proof design

### Dimension:



### Parameter:

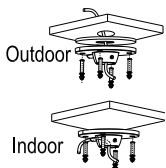
Range of Application	Suitable for dome camera pendent mounting
Material	Aluminum Alloy
Dimension	$\Phi 150 \times 543$ mm ( $\Phi 5.91" \times 21.38"$ )
Weight	1290 g (2.84 lb.)

### Notice:

- The bracket should be installed on flat wall
- Waterproof rubber is necessary for outdoor application
- The wall should be capable of supporting over 3 times as much as the total weight of the camera and the mount.
- The maximum load capacity of the bracket is 3 kg

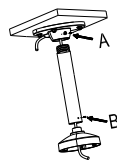
### Installation Step:

- ① Choose the appropriate wall to install the ceiling plate



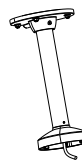
Waterproof rubber is necessary for outdoor application

- ② Connect suspender and adapter; thread the cable and screw up

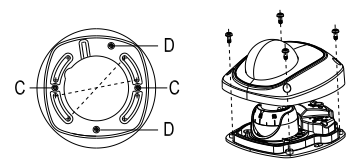


A&B: Tightening Screw

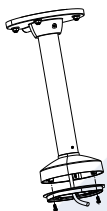
- ③ Screw up and fix the adapter to pole



- ④ Take off the lower dome and check the hole site of adapter plate



- ⑤ Install the adapter to the bracket and screw up



- ⑥ Connect the cable and fix the camera onto the adapter plate



- ⑦ Modify the angle of view, install the lower dome and screw up



- ⑧ Installation complete.



**Note:** The actual bracket may vary from the picture above.